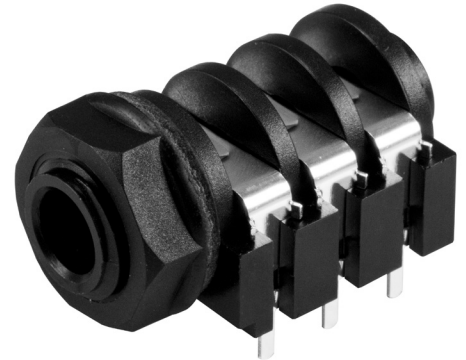
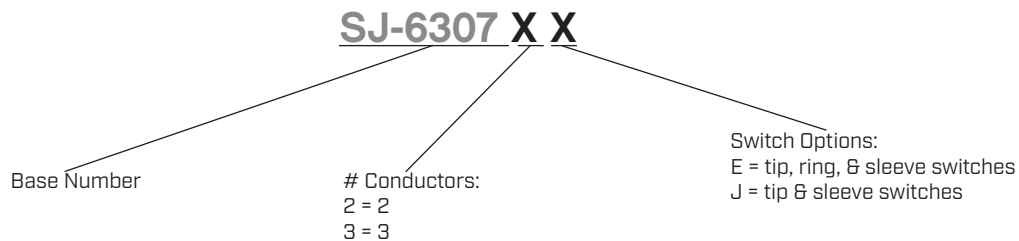


SERIES: SJ-6307 | **DESCRIPTION:** AUDIO JACK**FEATURES**

- through hole
- right angle
- 2 and 3 conductor models
- 2 or 3 switch designs
- open housing design
- threaded with nut

**PART NUMBER KEY****SPECIFICATIONS**

parameter	conditions/description	min	typ	max	units
rated input voltage			12		Vdc
rated input current				1	A
contact resistance	between terminal and mating plug			30	mΩ
insulation resistance	at 500 Vdc	100			MΩ
voltage withstand	for 1 minute			500	Vac
insertion/withdrawal force		0.4		3	kg
operating temperature		-25		70	°C
life			5,000		cycles
flammability rating	see material table				
RoHS	yes				

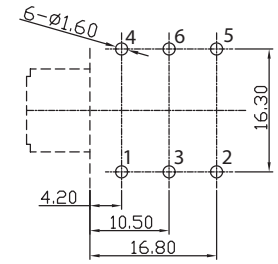
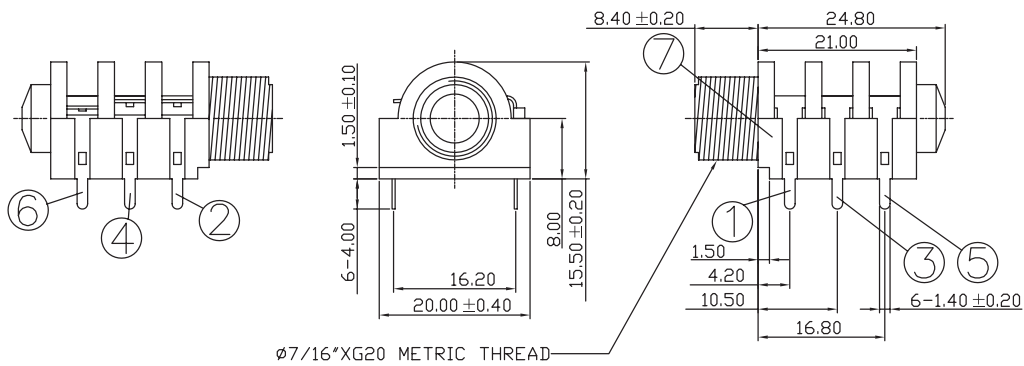
SOLDERABILITY

parameter	conditions/description	min	typ	max	units
wave soldering	dipped in solder pot for 3~5 seconds		260		°C

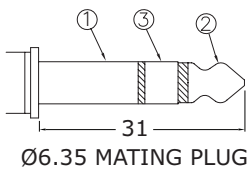
MECHANICAL DRAWING

units: mm
tolerance: ±0.3 mm

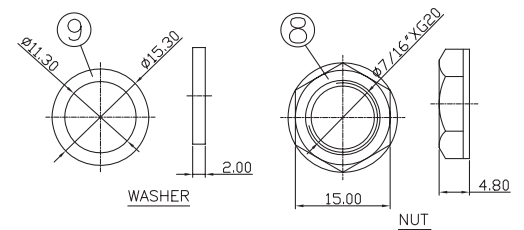
ITEM	DESCRIPTION	MATERIAL	PLATING/COLOR
1	sleeve spring	phosphor bronze	silver
2	sleeve shunt	bronze	silver
3	ring spring	phosphor bronze	silver
4	ring shunt	bronze	silver
5	tip spring	phosphor bronze	silver
6	tip shunt	bronze	silver
7	housing	PA66 (UL94V-0)	black
8	nut	PA66 (UL94V-0)	black
9	washer	paper	black



Recommended PCB Layout
Top View



Model No.	SJ-63072J	SJ-63073E
Schematic		
PIN		
1	sleeve	sleeve
2	tip	tip
3	NP	ring
4	sleeve switch	sleeve switch
5	tip switch	tip switch
6	NP	ring switch



REVISION HISTORY

rev.	description	date
1.0	initial release	08/11/2020
1.01	logo, datasheet style update	08/16/2022

The revision history provided is for informational purposes only and is believed to be accurate.



CUI Devices offers a one (1) year limited warranty. Complete warranty information is listed on our website.

CUI Devices reserves the right to make changes to the product at any time without notice. Information provided by CUI Devices is believed to be accurate and reliable. However, no responsibility is assumed by CUI Devices for its use, nor for any infringements of patents or other rights of third parties which may result from its use.

CUI Devices products are not authorized or warranted for use as critical components in equipment that requires an extremely high level of reliability. A critical component is any component of a life support device or system whose failure to perform can be reasonably expected to cause the failure of the life support device or system, or to affect its safety or effectiveness.

cuidevices.com