

MODEL: CUSA-R80-15-2500-TH | **DESCRIPTION:** ULTRASONIC SENSOR

FEATURES

- aluminium can
- open type
- receiver
- sensitivity -75 dBV
- detectable range 15 meters

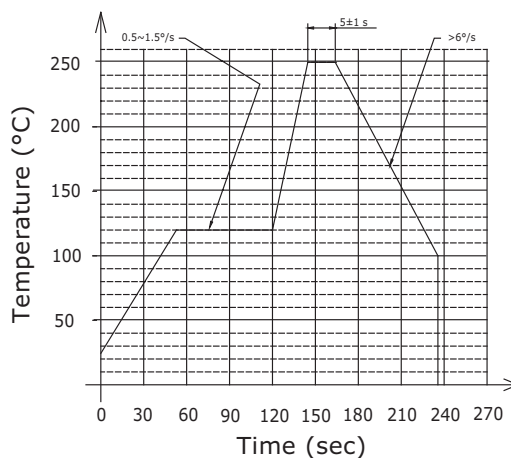


SPECIFICATIONS

| parameter | conditions/description | min | typ | max | units |
|-----------------------|------------------------------|-------|-------|-------|-----------|
| type | receiver | | | | |
| operating voltage | at 39 kHz | | | 80 | Vp-p |
| frequency | | 38 | 39 | 40 | kHz |
| sensitivity | | -75 | | | dBV/μMbar |
| directivity | | | 80 | | degree |
| capacitance | at 1 kHz | 1,875 | 2,500 | 3,125 | pF |
| detectable range | | 0.2 | | 15 | m |
| dimensions | ∅9.8 x 7.0 | | | | mm |
| material | aluminum | | | | |
| terminal | pins (iron with tin plating) | | | | |
| weight | | | 0.74 | | g |
| operating temperature | | -20 | | 80 | °C |
| RoHS | yes | | | | |

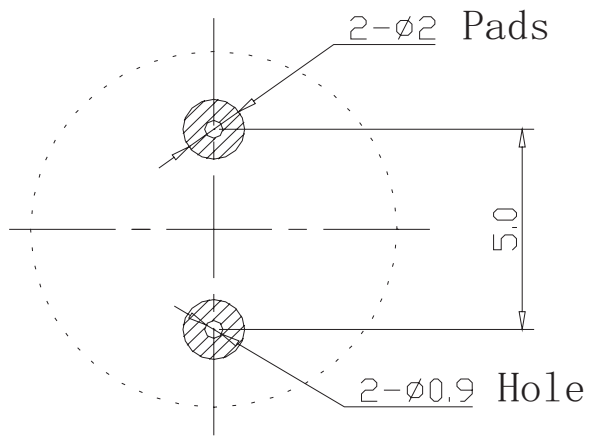
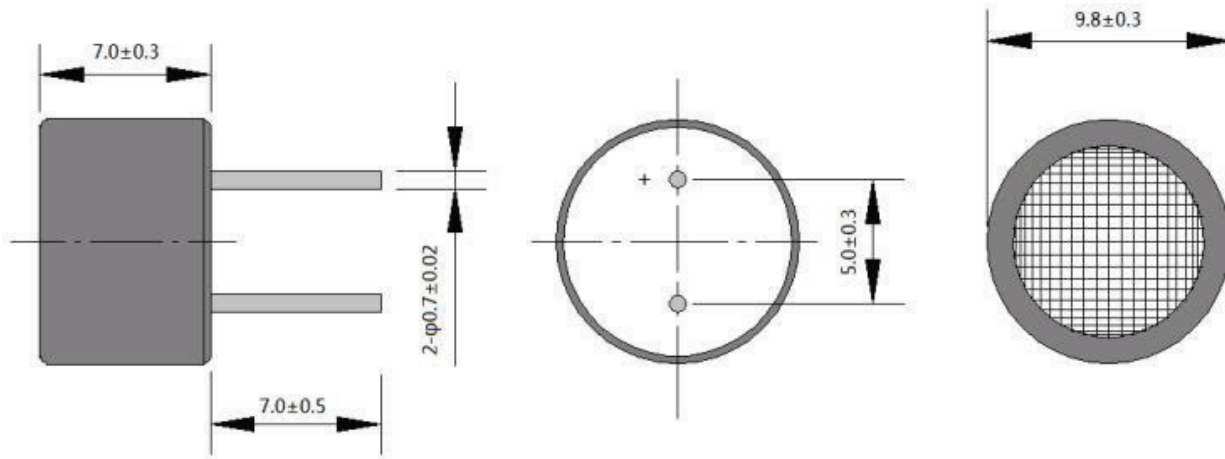
SOLDERABILITY

| parameter | conditions/description | min | typ | max | units |
|----------------|------------------------|-----|-----|-----|-------|
| hand soldering | | | | 250 | °C |



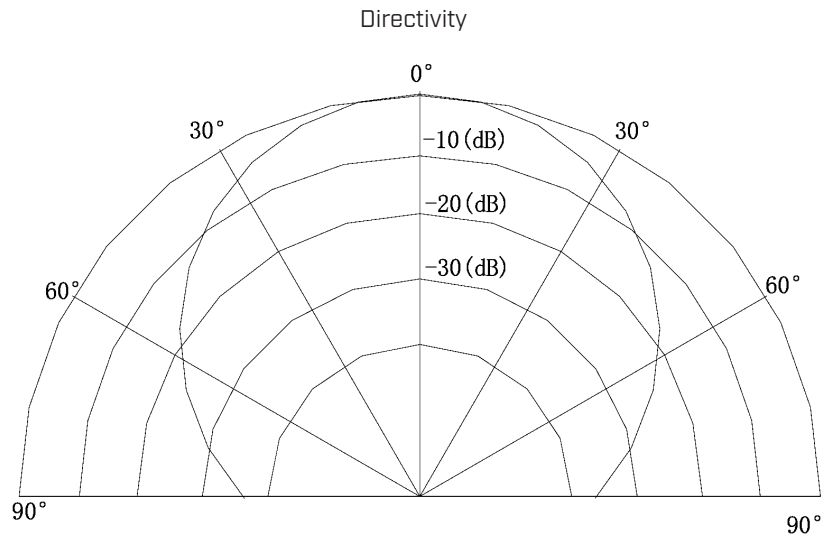
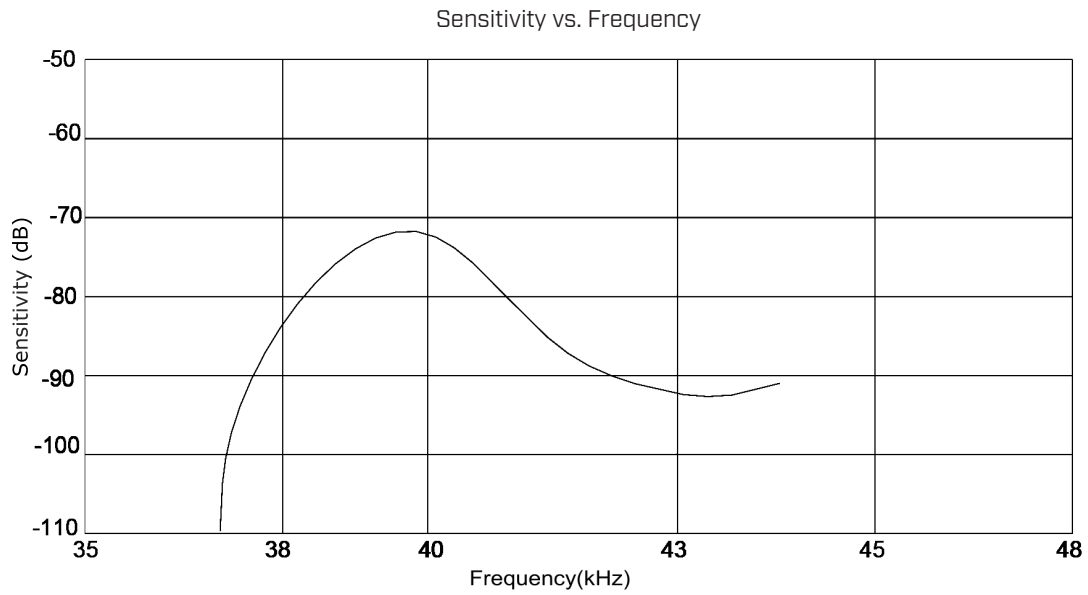
MECHANICAL DRAWING

units: mm



Recommended PCB Layout
Top View

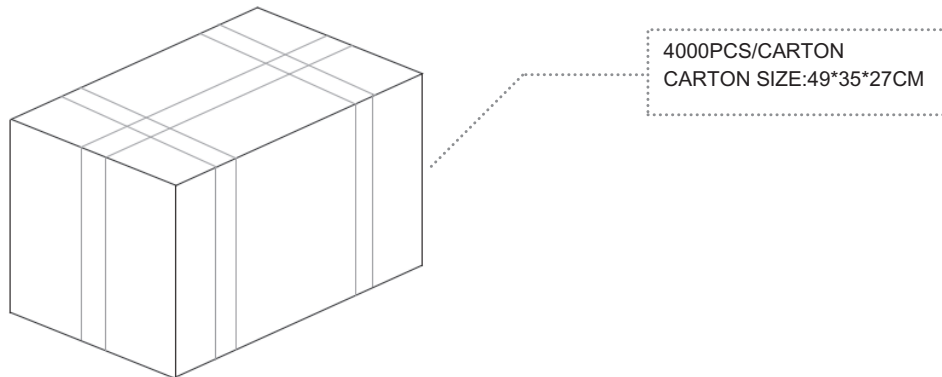
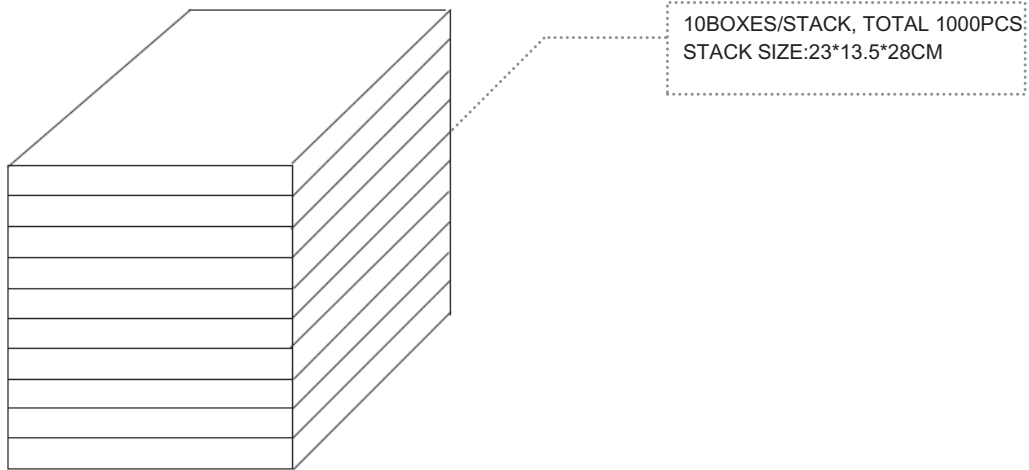
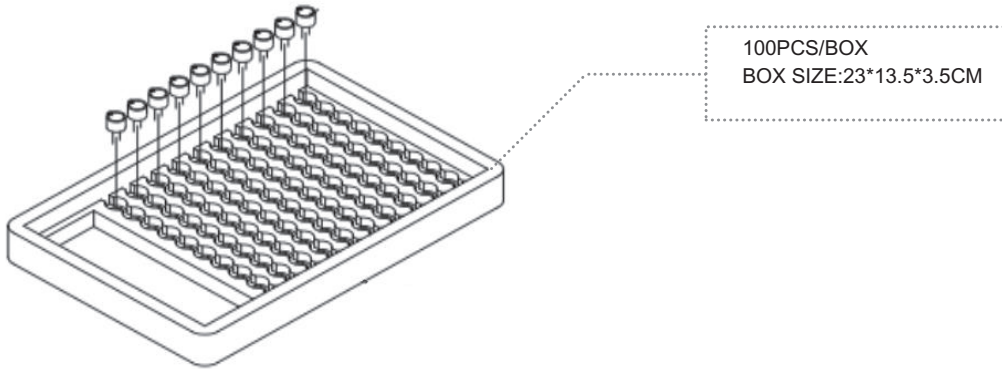
BEAM PATTERNS



PACKAGING

units: mm

Tray Size: 230 x 135 x 35 mm
Tray QTY: 100 pcs per tray
Carton Size: 490 x 350 x 270 mm
Carton QTY: 4,000 pcs per carton



REVISION HISTORY

| rev. | description | date |
|------|------------------------------|------------|
| 1.0 | initial release | 12/02/2020 |
| 1.01 | logo, datasheet style update | 08/05/2022 |

The revision history provided is for informational purposes only and is believed to be accurate.



CUI Devices offers a one (1) year limited warranty. Complete warranty information is listed on our website.

CUI Devices reserves the right to make changes to the product at any time without notice. Information provided by CUI Devices is believed to be accurate and reliable. However, no responsibility is assumed by CUI Devices for its use, nor for any infringements of patents or other rights of third parties which may result from its use.

CUI Devices products are not authorized or warranted for use as critical components in equipment that requires an extremely high level of reliability. A critical component is any component of a life support device or system whose failure to perform can be reasonably expected to cause the failure of the life support device or system, or to affect its safety or effectiveness.

cuidevices.com