

SERIES: CPS-5933X-X105PM | **DESCRIPTION:** SIREN

FEATURES

- multiple tone options
- black or white case color
- mounting bracket


SPECIFICATIONS

| parameter | conditions/description | min | typ | max | units |
|-----------------------|------------------------------|-----|-----|-----|-------|
| rated voltage | | | 24 | | Vdc |
| operating voltage | | 12 | | 24 | Vdc |
| current consumption | at rated voltage | | | 130 | mA |
| sound pressure level | at 10 cm, rated voltage | | | | |
| | one tone model | 95 | | | dB |
| | six tone model | 90 | | | dB |
| tone | one tone and six tone models | | | | |
| dimensions | 59 x 65.5 x 33 | | | | mm |
| weight | | | 57 | | g |
| material | ABS (black or white models) | | | | |
| terminal | wire leads | | | | |
| operating temperature | | -20 | | 70 | °C |
| storage temperature | | -20 | | 60 | °C |
| RoHS | yes | | | | |
| IP level | IP44 | | | | |

PART NUMBER KEY
CPS - 5933 X - X 105PM

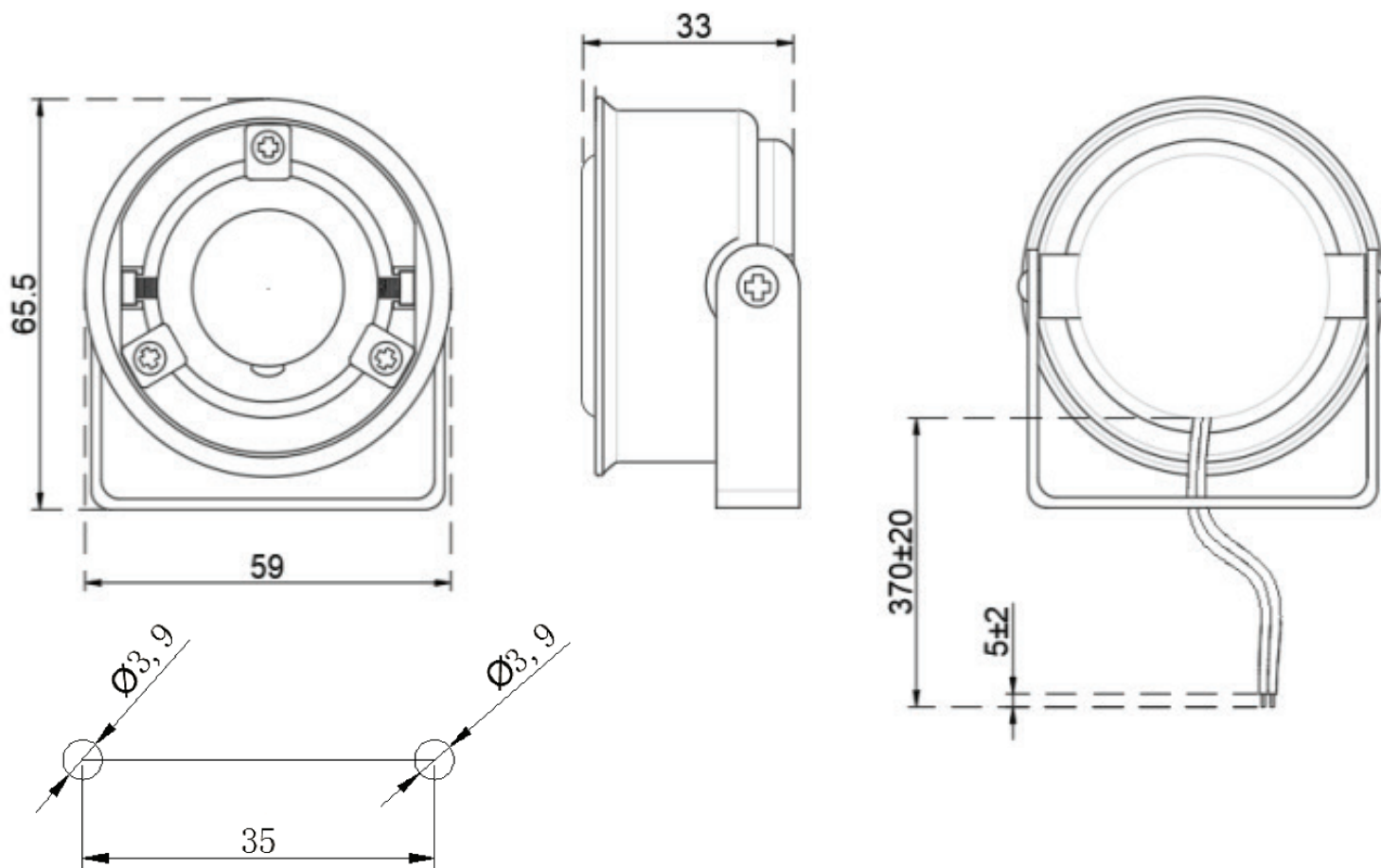
Base Number

Case Color Options:
"blank" = black
W = whiteTone Options:
1 = one tone
6 = six tone

MECHANICAL DRAWING

units: mm
tolerance: ± 3 mm

wire: UL 1007, 24 AWG



Recommended Mounting Hole Layout

REVISION HISTORY

| rev. | description | date |
|------|-----------------|------------|
| 1.0 | initial release | 11/09/2023 |

The revision history provided is for informational purposes only and is believed to be accurate.



CUI Devices offers a one (1) year limited warranty. Complete warranty information is listed on our website.

CUI Devices reserves the right to make changes to the product at any time without notice. Information provided by CUI Devices is believed to be accurate and reliable. However, no responsibility is assumed by CUI Devices for its use, nor for any infringements of patents or other rights of third parties which may result from its use.

CUI Devices products are not authorized or warranted for use as critical components in equipment that requires an extremely high level of reliability. A critical component is any component of a life support device or system whose failure to perform can be reasonably expected to cause the failure of the life support device or system, or to affect its safety or effectiveness.

cuidevices.com