


MODEL: CMS-2341-06S-TR | **DESCRIPTION:** SPEAKER

FEATURES

- spring leaf contact
- 50 Ω impedance
- rated 0.6W

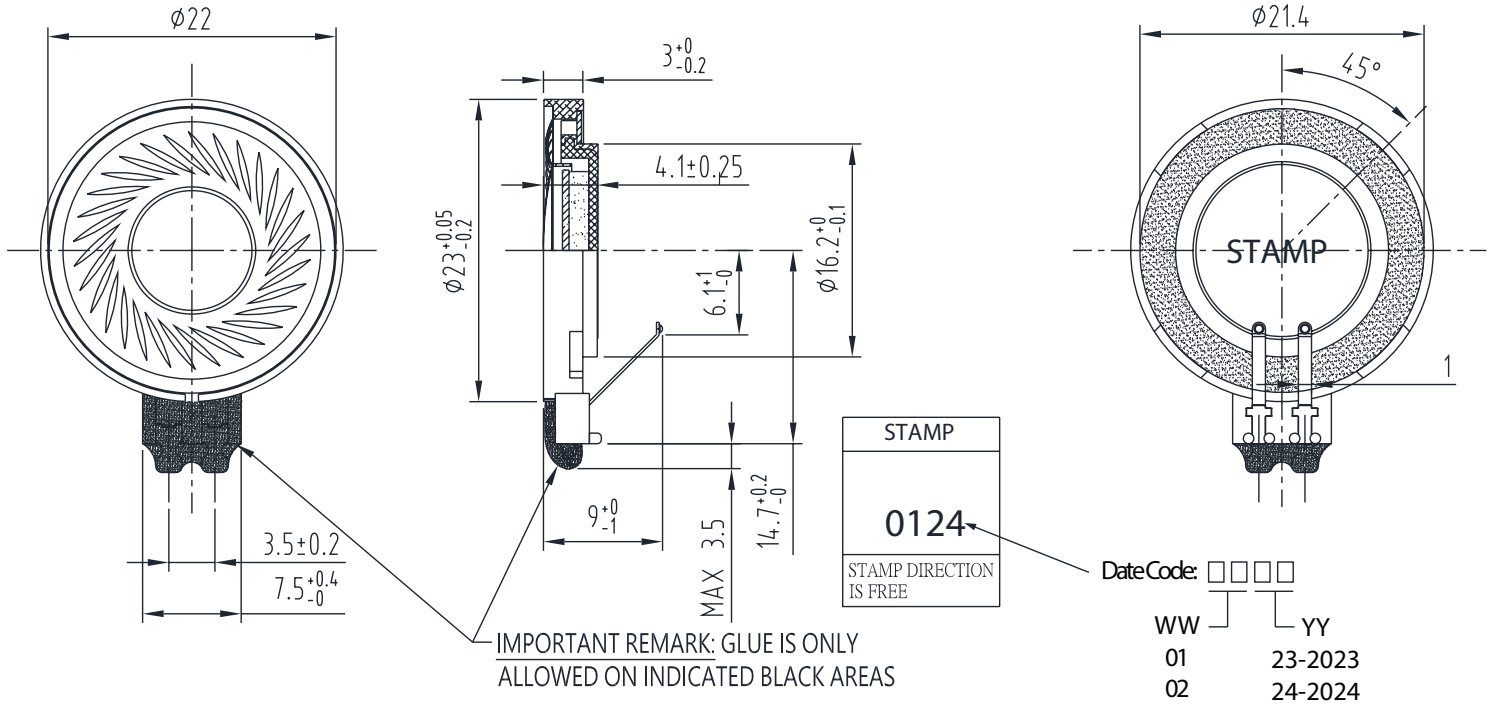

SPECIFICATIONS

parameter	conditions/description	min	typ	max	units
input power	max power: IEC-60268-5, filter 60 seconds on/120 seconds off, 10 cycles at room temperature		0.6	1.0	W
impedance	at 1.0 kHz, 1.0 V	42.5	50	57.5	Ω
resonant frequency (Fo)	at 1.0 V	425	500	575	Hz
frequency response		Fo		10,000	Hz
sound pressure level	at 0.1 W, 10 cm, avg at 0.8, 1.0, 1.2, 1.5 kHz	85	88	91	dB
	at 0.1 W, 1 m, avg at 0.8, 1.0, 1.2, 1.5 kHz	65	68	71	dB
distortion	at 1.0 kHz, 0.1 W, 10 cm			5	%
buzz, rattle, etc.	must be normal at sine wave, Fo~20 kHz			5.48	V
polarity	cone moves forward w/ positive dc current to "+" terminal				
dimensions	\varnothing 23.0 x 4.1				mm
magnet	Nd-Fe-B				
frame material	PBT + 15% GF				
cone material	PEI				
terminal	spring terminals				
weight		3.1	3.6	4.1	g
operating temperature		-40		85	$^{\circ}$ C
storage temperature		-40		80	$^{\circ}$ C
RoHS	yes				

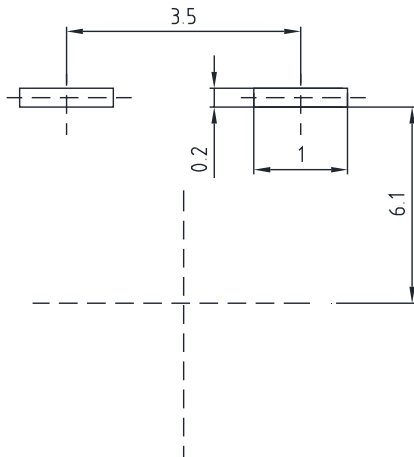
Notes: 1. All specifications measured at 5-35 $^{\circ}$ C, humidity at 45-85%, under 86-106 kPa pressure, unless otherwise noted.

MECHANICAL DRAWING

units: mm
 tolerance: ± 0.3 mm
 unless otherwise specified



WW YY
 01 23-2023
 02 24-2024

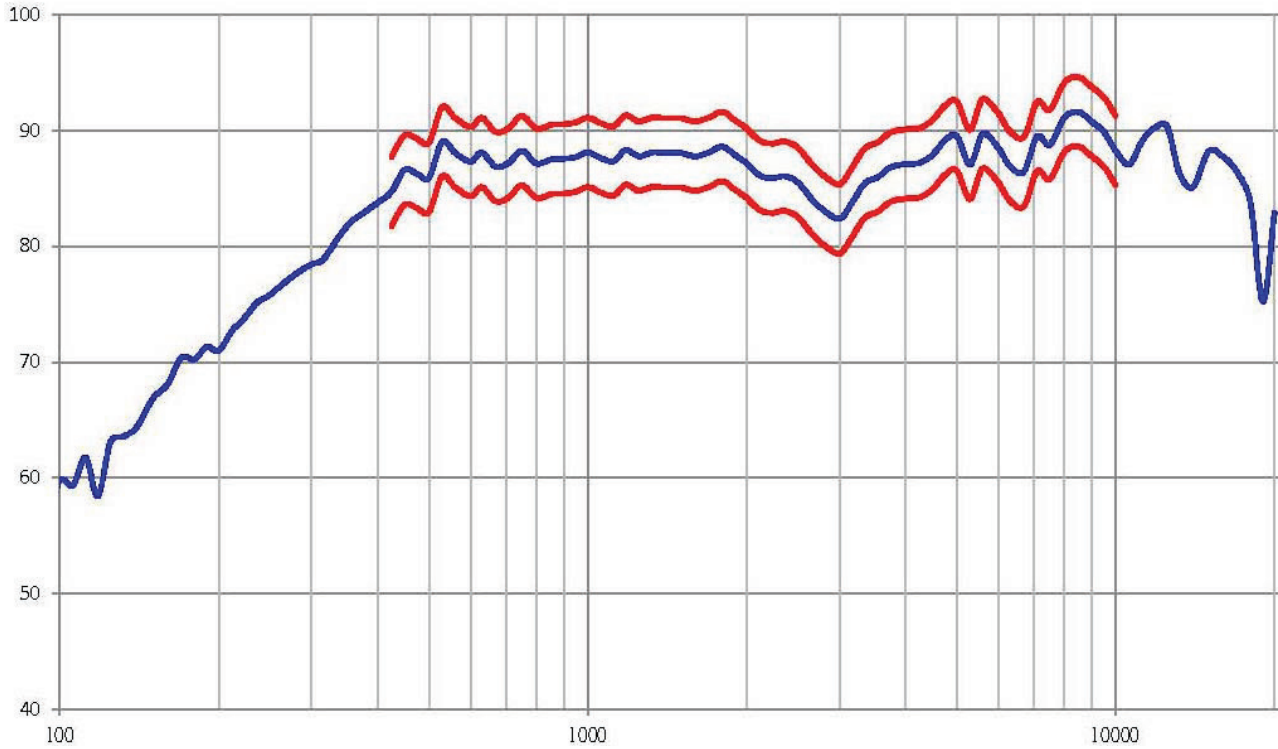


Recommended PCB Layout
 Top View

RESPONSE CURVES

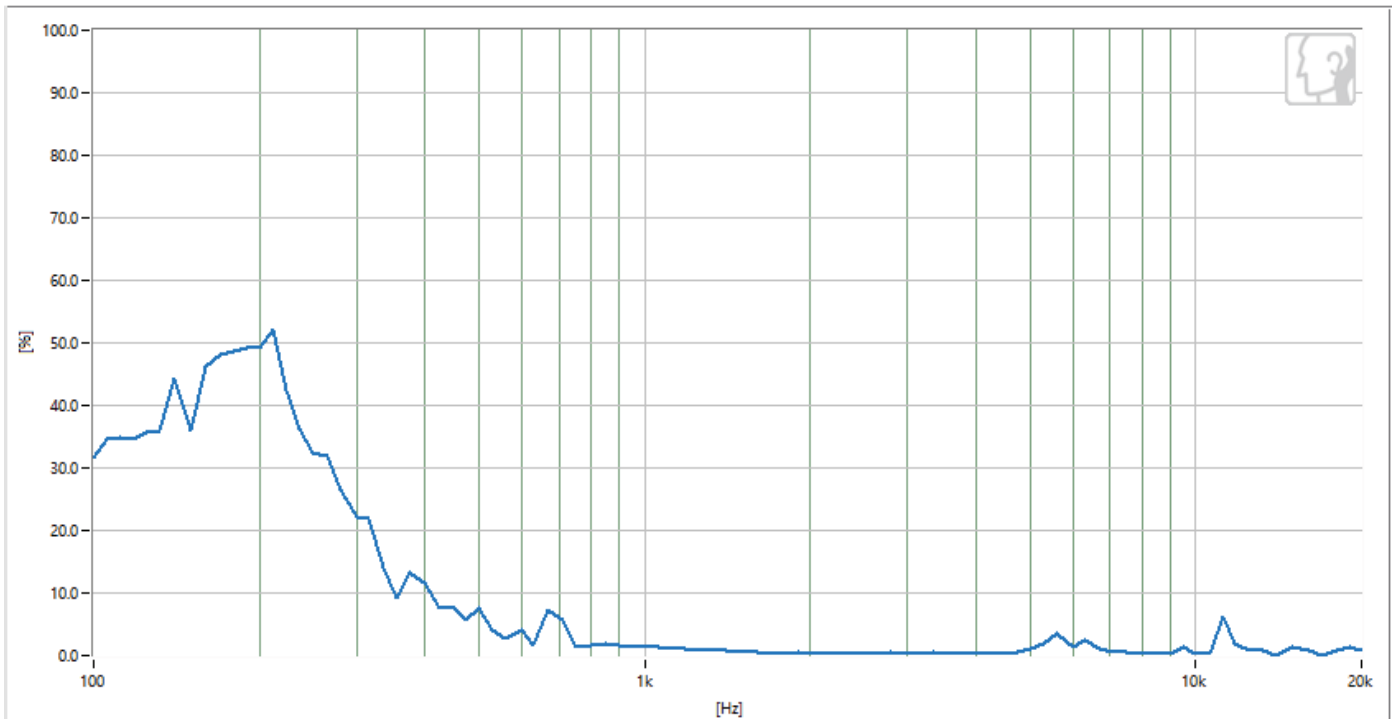
Frequency Response Curve

Test Conditions: 0.1 W / 10 cm



Total Harmonic Distortion Curve

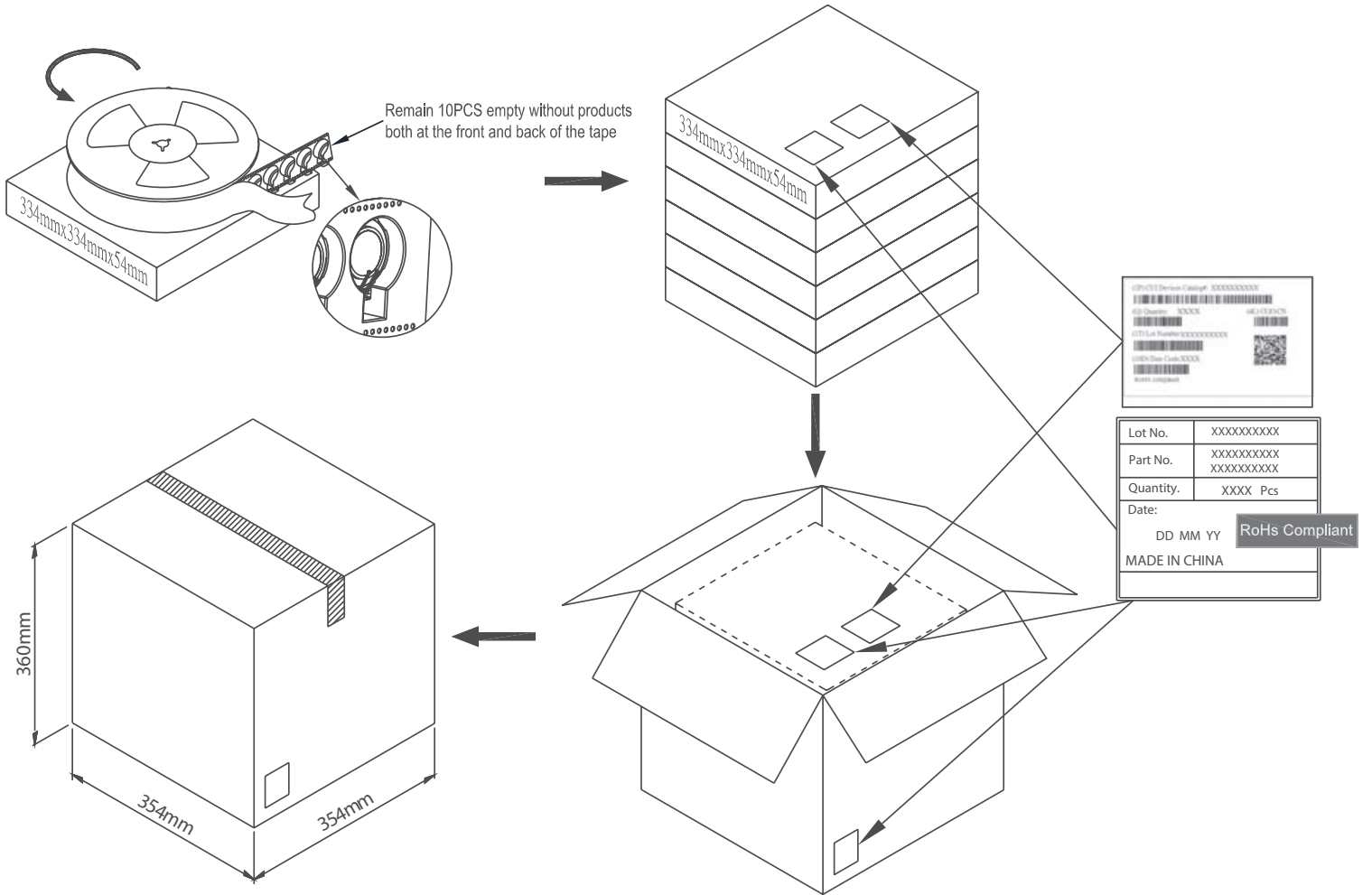
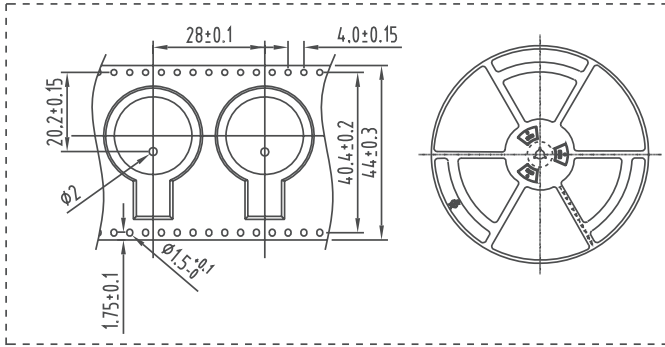
Test Conditions: 0.1 W / 10 cm



PACKAGING

units: mm

Reel Size: $\varnothing 330$ mm
 Reel QTY: 200 pcs per tray
 Carton Size: 354 x 354 x 360 mm
 Carton QTY: 1,200 pcs per carton



REVISION HISTORY

rev.	description	date
1.0	initial release	04/05/2024

The revision history provided is for informational purposes only and is believed to be accurate.



CUI Devices offers a one (1) year limited warranty. Complete warranty information is listed on our website.

CUI Devices reserves the right to make changes to the product at any time without notice. Information provided by CUI Devices is believed to be accurate and reliable. However, no responsibility is assumed by CUI Devices for its use, nor for any infringements of patents or other rights of third parties which may result from its use.

CUI Devices products are not authorized or warranted for use as critical components in equipment that requires an extremely high level of reliability. A critical component is any component of a life support device or system whose failure to perform can be reasonably expected to cause the failure of the life support device or system, or to affect its safety or effectiveness.

cuidevices.com