

Product Change Notice (PCN)

Date: **06/08/2023**

PCN Number: **PCN-0454866R-01**

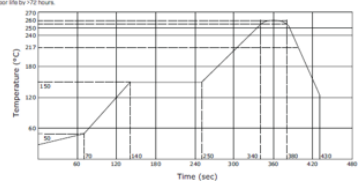
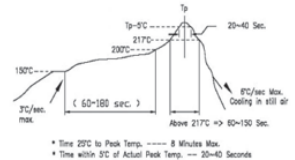
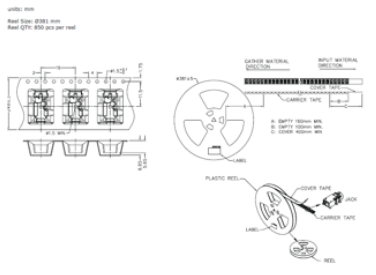
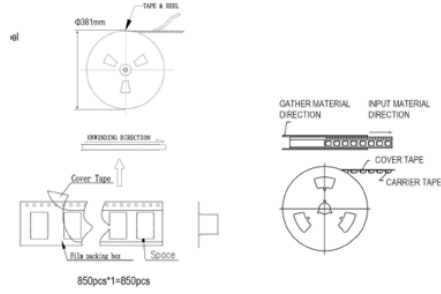
To Our Customers:

We appreciate your use of our products. Our commitment in maintaining and improving processes is demonstrated by plans to enhance our product quality, reliability, and manufacturability. The purpose of this notice is to inform you of a product change.

Product(s) Affected: **SJ2-35364B-SMT-TR**

Reason(s) for Change: **Part Analysis**

Description of Change: **Solder Profile Update. See image Below**

PREVIOUS CUI DEVICES DETAIL / IMAGE					NEW CUI DEVICES DETAIL / IMAGE						
SOLDERABILITY					SOLDERABILITY						
parameter	conditions/description	min	typ	max	units	parameter	conditions/description	min	typ	max	units
reel storage	at relative humidity <80%			40	°C	reel storage	10-30°C, <70% humidity				°C
reflow soldering ¹	see reflow profile	265	260	265	°C	reflow soldering ¹	see reflow profile	265	260	265	°C
drying conditions ²	parts in reel: bake at 40°C ±5°C for 72 hours parts removed from reel: bake at 40°C ±5°C for 10 hours					drying conditions ²	parts in reel: bake at 110°C for 4 hours parts removed from reel: bake at 110°C for 4 hours				
<small>Note:</small> 1. Must reflow solder within 72 hours from opening vacuum packaging at a temperature <30°C relative humidity <80%. 2. When exceeding floor life by >160 hours.					<small>Note:</small> 1. CUI Devices recommends to solder within 72 hours from opening vacuum packaging at a temperature <30°C relative humidity <80%. 2. When exceeding floor life by >160 hours.						
											
											



Affected Date Code: **06/07/2023**

Product Availability: *Pertaining to market availability*

PCN Approval:

Operations/Quality

A handwritten signature in black ink, appearing to read "Raelle Griffin", written over a horizontal line.

Product Management

A handwritten signature in black ink, appearing to read "J. Johnson", written over a horizontal line.