

Product Change Notice (PCN)

Date: 11/17/2022

PCN Number: PCN-0454842R-01

To Our Customers:

We appreciate your use of our products. Our commitment in maintaining and improving processes is demonstrated by plans to enhance our product quality, reliability, and manufacturability. The purpose of this notice is to inform you of a product change.

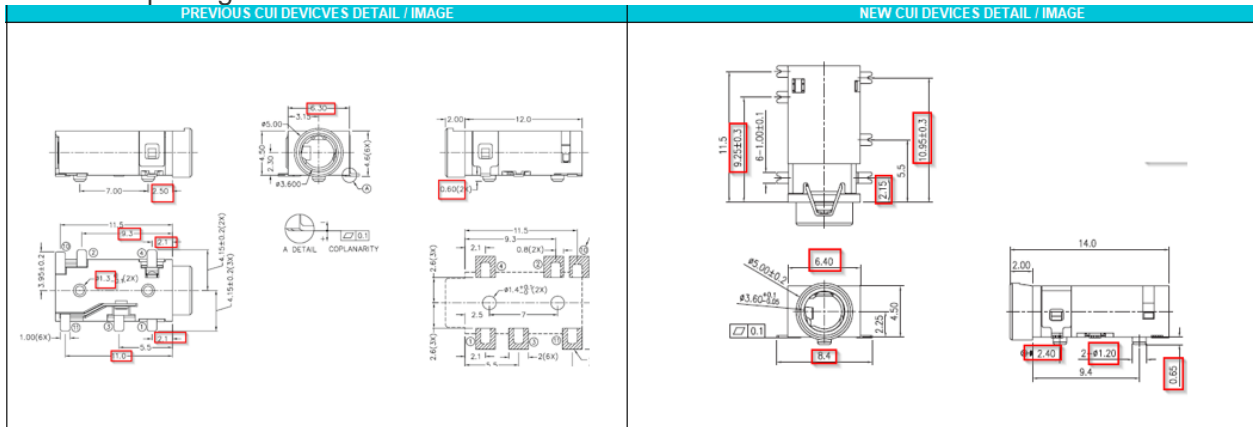
Product(s) Affected:

SJ2-35894B-SMT-TR & SJ2-35894D-SMT-TR

Reason(s) for Change: *Manufacturing process improvements*

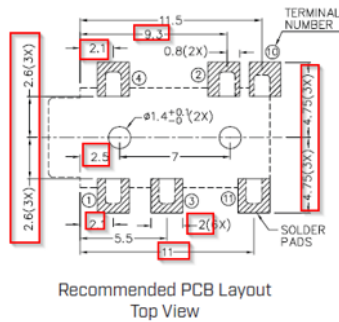
Description of Change:

1. Terminal Spacing Differs

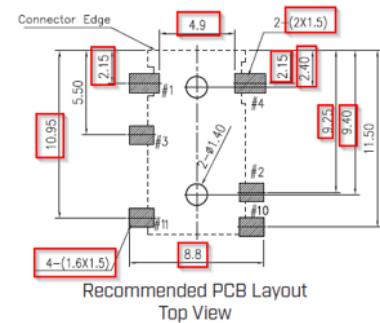


2. PCB Layout differs

PREVIOUS CUI DEVICES DETAIL / IMAGE



NEW CUI DEVICES DETAIL / IMAGE



3. Housing material differs

PREVIOUS CUI DEVICES DETAIL / IMAGE

	MATERIAL	PLATING
terminal 1	copper alloy	silver
terminal 2	copper alloy	silver
terminal 3	copper alloy	silver
terminal 4	copper alloy	silver
terminal 10	brass	silver
terminal 11	brass	silver
plastic	PA10T	

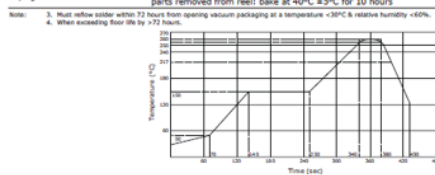
NEW CUI DEVICES DETAIL / IMAGE

DESCRIPTION	MATERIAL	PLATING/COLOR
terminal 1	phosphor bronze t-0.20	silver over nickel
terminal 2	phosphor bronze t-0.20	silver over nickel
terminal 3	phosphor bronze t-0.20	silver over nickel
terminal 4	phosphor bronze t-0.20	silver over nickel
terminal 10	brass t-0.20	silver over nickel
terminal 11	brass t-0.20	silver over nickel
housing	PA9T [UL94V-0]	black

4. Reflow Soldering Difference

PREVIOUS CUI DEVICES DETAIL / IMAGE

SOLDERABILITY					
parameter	conditions/description	min	typ	max	units
refl storage	at relative humidity <80%			40	°C
reflow soldering ¹	see reflow profile	235	260	265	°C
drying conditions ²	parts in reel: bake at 40°C ±5°C for 72 hours parts removed from reel: bake at 40°C ±5°C for 10 hours				

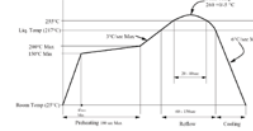


NEW CUI DEVICES DETAIL / IMAGE

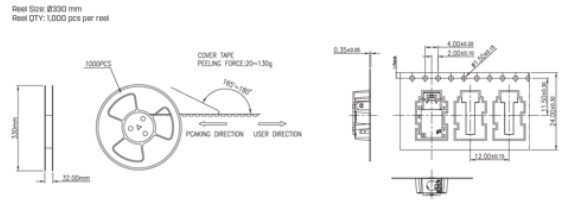
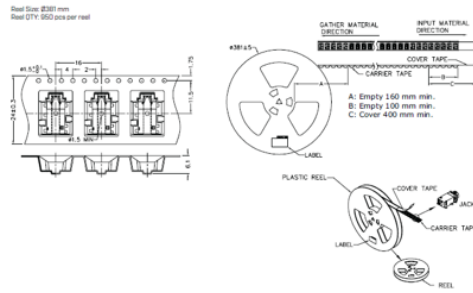
SOLDERABILITY

parameter	conditions/description	min	typ	max	units
refl storage	5-25°C, 20-75% humidity				
reflow soldering	see reflow profile	235	260		°C

Note: 1. CUI Devices recommends usage of the product within 24 hours after 100 is opened. After 24 hours, CUI Devices recommends drying the parts prior to use.



5. Tape and reel packaging differs



Affected Date Code: **11/15/2022**

Product Availability: **Channel availability mid Q4**

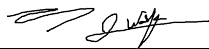
Additional Information:

PCN Approval:

Operations/Quality



Product Management



Nick Wolfe

11/17/2022