



Product Change Notice (PCN)

Date: 01/30/2023

PCN Number: PCN-0454806R-01

To Our Customers:

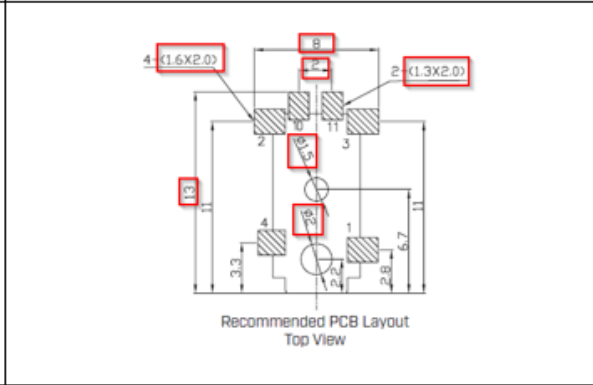
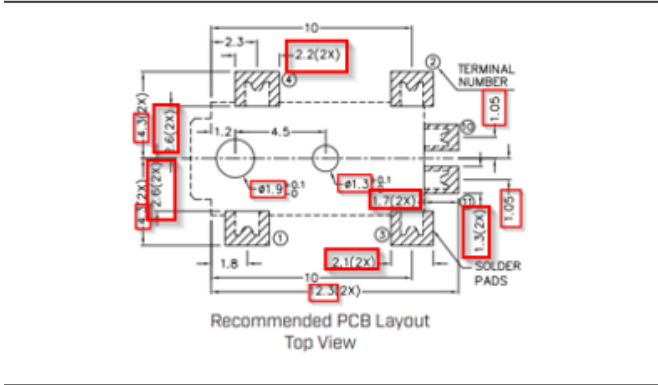
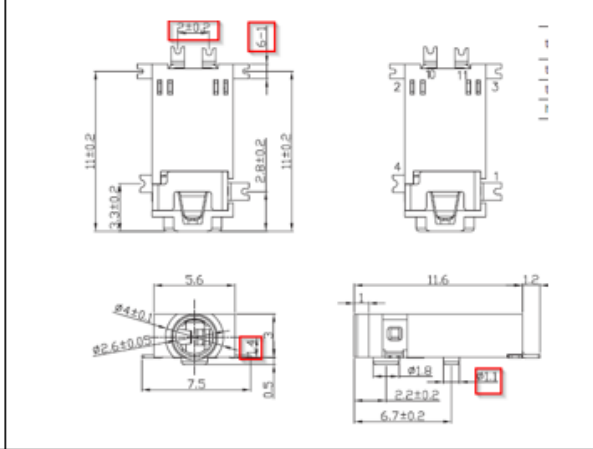
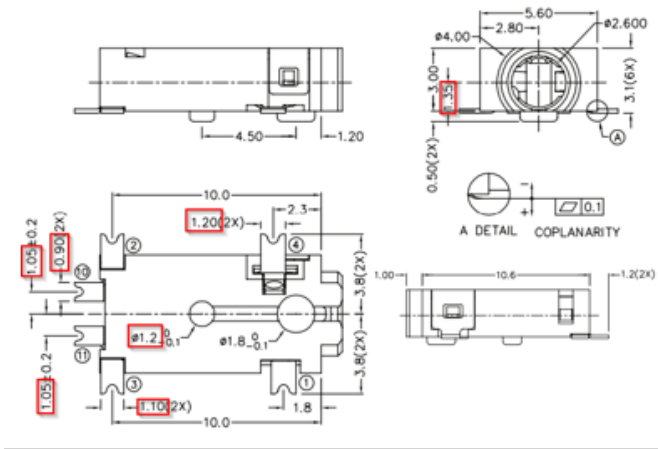
We appreciate your use of our products. Our commitment in maintaining and improving processes is demonstrated by plans to enhance our product quality, reliability, and manufacturability. The purpose of this notice is to inform you of a product change.

Product(s) Affected: *SJ2-25404D-SMT-TR & SJ2-25404B-SMT-TR*

Reason(s) for Change: *Manufacturing process improvements*

Description of Change: *Minor Housing and footprint differences. Material Change on the housing and terminals. See image Below*

PREVIOUS CUI DEVICES DETAIL / IMAGE NEW CUI DEVICES DETAIL / IMAGE



	MATERIAL	PLATING
terminal 1	copper alloy	gold flash
terminal 2	copper alloy	gold flash
terminal 3	copper alloy	gold flash
terminal 4	copper alloy	gold flash
terminal 10	copper alloy	gold flash
terminal 11	copper alloy	gold flash
plastic	PA10T	

DESCRIPTION	MATERIAL	PLATING/COLOR
terminal 1	phosphor bronze t=0.25	gold
terminal 2	phosphor bronze t=0.20	gold
terminal 3	phosphor bronze t=0.20	gold
terminal 4	phosphor bronze t=0.20	gold
terminal 10	brass t=0.25	gold
terminal 11	brass t=0.25	gold
housing	PA9T [UL94V-0]	black

PREVIOUS CUI DEVICES DETAIL / IMAGE

SPECIFICATIONS

parameter	conditions/description	min	typ	max	units
rated input voltage			12		Vdc
rated input current			1		A
contact resistance ¹	between terminal and mating plug between terminal in a closed circuit			50 30	mΩ
insulation resistance	at 500 Vdc	100			MΩ
voltage withstand	for 1 minute			500	Vac
insertion/withdrawal force		0.3		3	kg
operating temperature		-25		85	°C
life	at a rate of 24 cycles/minute		5,000		cycles
flammability rating	UL94V-0				
RoHS	yes				

NEW CUI DEVICES DETAIL / IMAGE

SPECIFICATIONS

parameter	conditions/description	min	typ	max	units
rated input voltage			12		Vdc
rated input current			1		A
contact resistance ¹	between terminal and mating plug between terminal in a closed circuit			30 20	mΩ
insulation resistance	at 500 Vdc	100			MΩ
voltage withstand	for 1 minute			500	Vac
insertion/withdrawal force		0.3		3	kg
operating temperature		-40		85	°C
storage temperature		-30		50	°C
life			5,000		cycles
flammability rating	UL94V-0				
RoHS	yes				

SOLDERABILITY

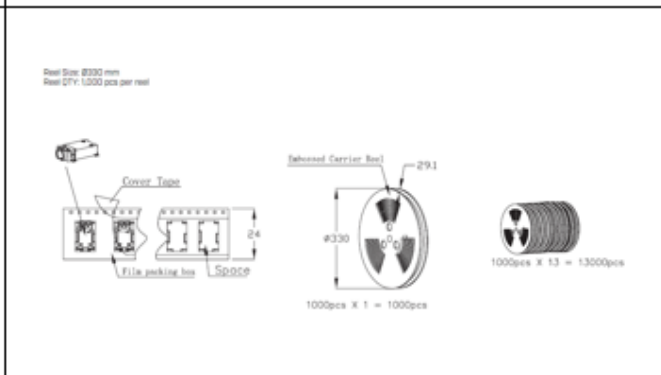
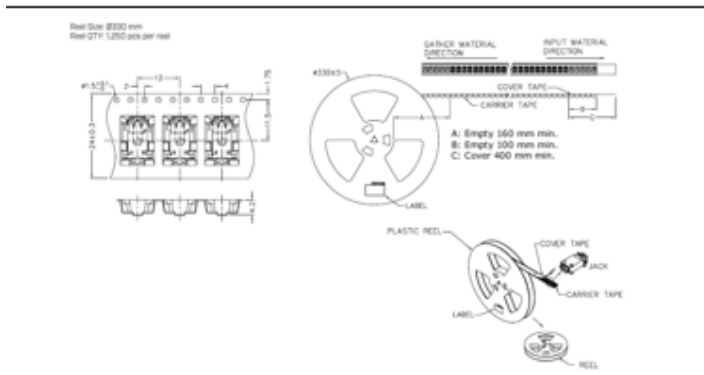
parameter	conditions/description	min	typ	max	units
reflow storage	at relative humidity <90%			40	°C
reflow soldering ¹	see reflow profile	255	260	265	°C
drying conditions ²	parts in reel: bake at 40°C ±5°C for 72 hours parts removed from reel: bake at 40°C ±5°C for 10 hours				

Notes:
 1. Must reflow solder within 72 hours from opening vacuum packaging at a temperature <130°C & relative humidity <85%.
 2. When exceeding their life by >72 hours.

SOLDERABILITY

parameter	conditions/description	min	typ	max	units
reflow storage	reel opened & unused parts resealed within 2 hours, (30°C, (85% humidity reel unopened, 1 year shelf life (30°C, (85% humidity				
reflow soldering	see reflow profile			260	°C
drying conditions	parts removed from reel over 2 hours: bake at 40°C for 8 hours				

Notes:
 1. CUI Devices recommends usage of this product within 2 hours after 168 is opened. After 8 hours, CUI Devices recommends drying the part before its use.





Affected Date Code: *01/24/2023*

Product Availability: *Pertaining to market availability*

PCN Approval:

Operations/Quality

A handwritten signature in black ink, appearing to read "Robert Aguirre", written over a horizontal line.

Product Management

A handwritten signature in black ink, written over a horizontal line. The signature is partially obscured by a light grey rectangular box.