

Product Change Notice (PCN)

Date: 2/18/2022

PCN Number: PCN-0454694R-01

To Our Customers:

We appreciate your use of our products. Our commitment in maintaining and improving processes is demonstrated by plans to enhance our product quality, reliability, and manufacturability. The purpose of this notice is to inform you of a product change.

Product(s) Affected: Part # UP2-AH-1-TH

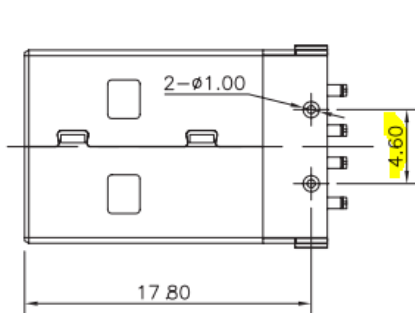
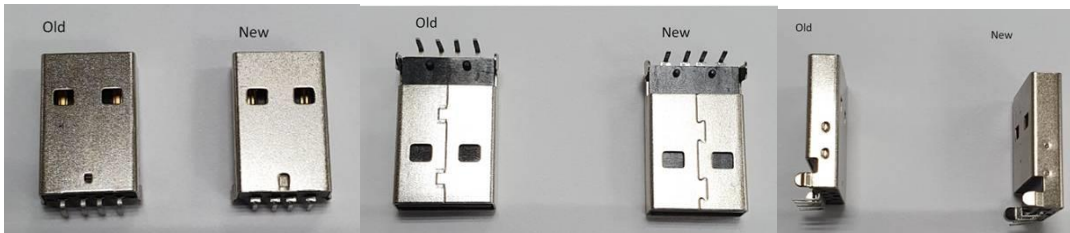
Reason(s) for Change: Manufacturing Tooling Upgrade

Description of Change: Pegs pitch now 4.5mm vs OLD 4.6mm & height now 3.2mm vs OLD 3.4mm. There are some small visual changes on the front, rear and side of the part. The part is still functionally the same.

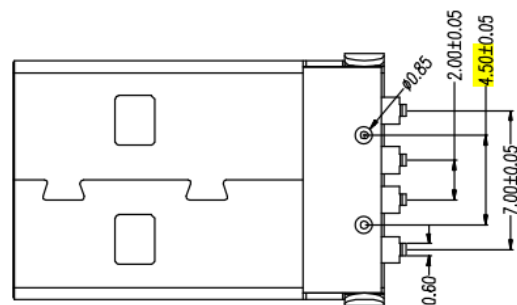
Affected Date Code: 01/01/2022

Product Availability: New specification will be delivered in 2022

Additional Information: See picture below for visual changes



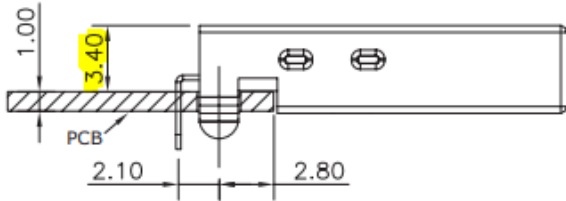
OLD



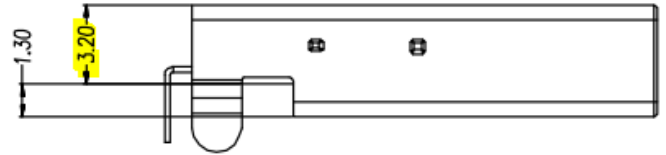
NEW

CUI DEVICES

6405 SW Rosewood St, Ste C
Lake Oswego, OR 97035



OLD



NEW

PCN Approval:

Operations/Quality

Robert Sprison

Product Management

J. Walden