

## Product Change Notice (PCN)

**Date:** 10/15/2019

**PCN Number:** PCN-0451321R-01

### To Our Customers:

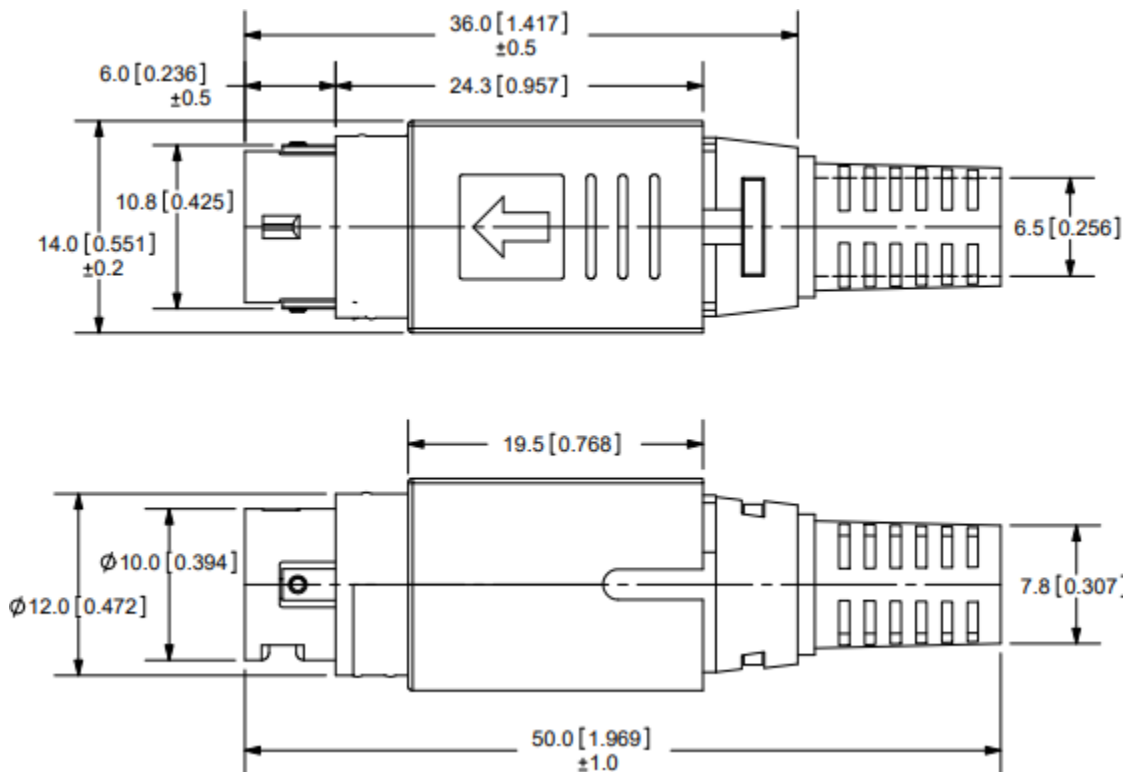
We appreciate your use of CUI Devices products. Our commitment in maintaining and improving processes is demonstrated by plans to enhance our product quality, reliability and manufacturability. The purpose of this notice is to inform you of a product change.

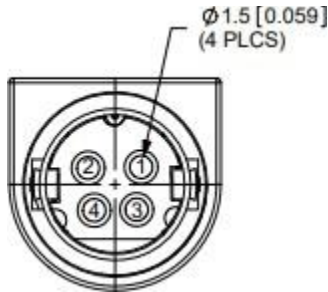
**Product(s) Affected:** PDP-40

**Reason(s) for Change:** manufacturing build location change.

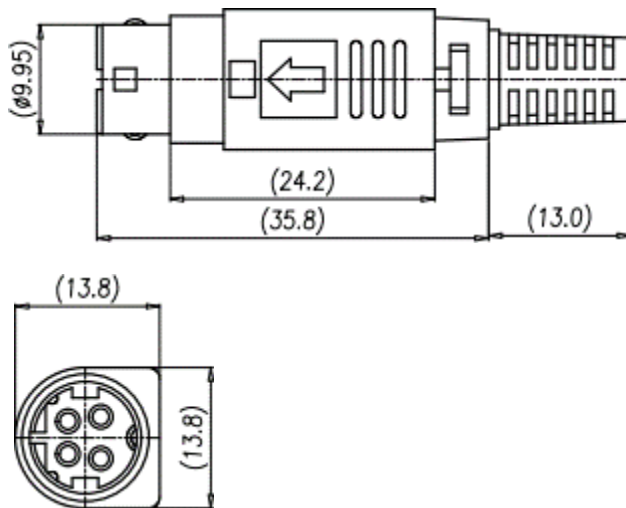
**Description of Change:** housing and materials changes as shown below.

### Old Design





**New Design**



**Old design materials**

	MATERIAL	PLATING
OUTER HOOD	ABS	
METAL SLEEVE	Brass	Nickel
CLAMP	Brass	Nickel
PIN/BODY	Brass/PBT	Silver
PLASTIC RING	POM	
METAL COVER	Brass	Nickel
SPRING	Steel	
INNER HOOD	ABS	
STRAIN RELIEF	PVC	

**New design materials**

# CUI DEVICES

20050 SW 112<sup>th</sup> Ave. Tualatin, Oregon 97062  
phone: 800.275.4899 fax: 503.612.2383  
www.cuidevices.com

	MATERIAL	PLATING
housing	PBT (UL94V-0)	
contacts	copper alloy	silver
plastic cover	ABS	
metal shell	copper alloy	nickel
metal cap	copper alloy	nickel
cable fixer	copper alloy	tin
ring	POM	
spring	steel	nickel
plastic tube	ABS	
SR	PVC	

**Affected Date Code:** 11/1/19

**Product Availability:** currently available

**Additional Information:** none

PCN Approval:

Operations/Quality



---

# CUI DEVICES

20050 SW 112<sup>th</sup> Ave. Tualatin, Oregon 97062  
phone: 800.275.4899 fax: 503.612.2383  
www.cuidevices.com

Product Marketing

A handwritten signature in black ink, appearing to be 'RU' with a long horizontal stroke extending to the right.