

Product Change Notice (PCN)

Date: **02/23/2023**

PCN Number: **PCN-0451050R-01**

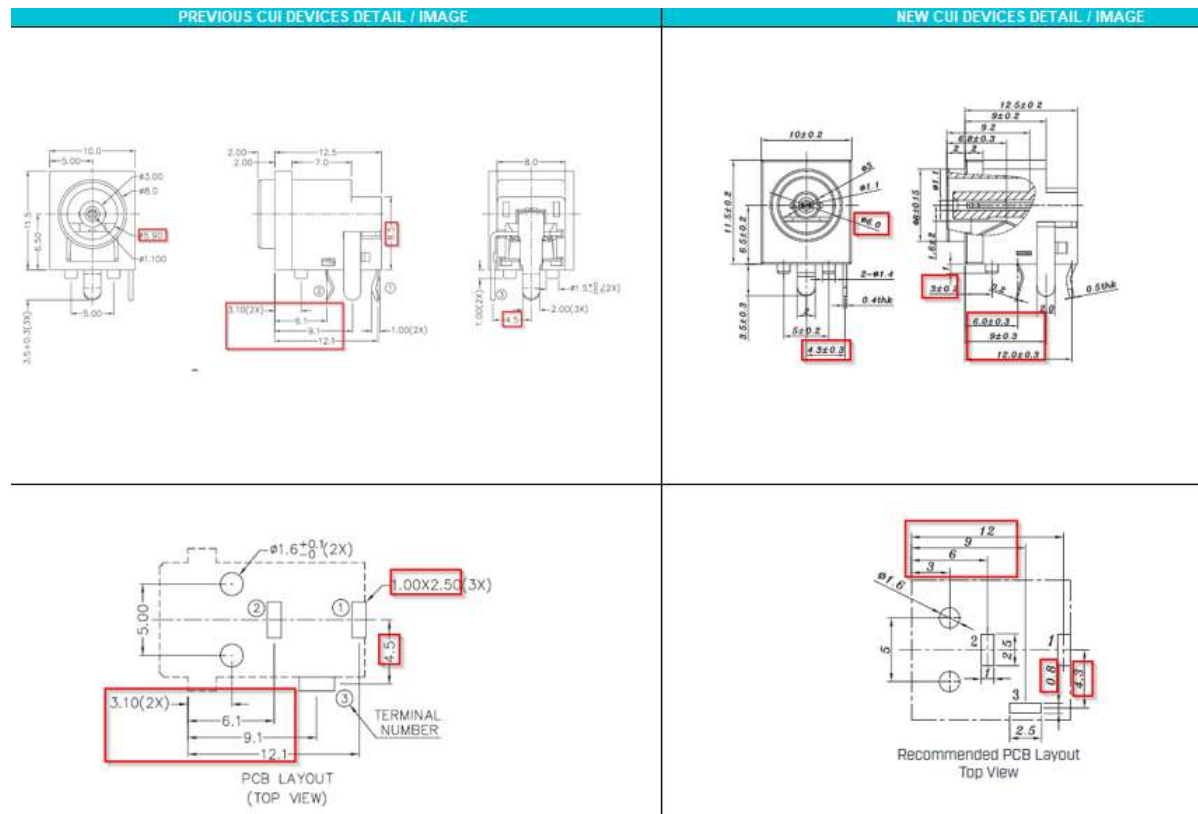
To Our Customers:

We appreciate your use of our products. Our commitment in maintaining and improving processes is demonstrated by plans to enhance our product quality, reliability, and manufacturability. The purpose of this notice is to inform you of a product change.

Product(s) Affected: **PJ-019**

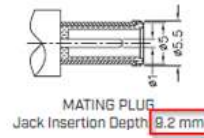
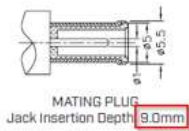
Reason(s) for Change: **Manufacturing process improvements**

Description of Change: **Mechanical, electrical, and material changes as shown below:**



| | MATERIAL | PLATING |
|------------|--------------|---------|
| center pin | brass | tin |
| terminal 1 | brass | tin |
| terminal 2 | copper alloy | tin |
| terminal 3 | brass | tin |
| plastic | PBT | |

| DESCRIPTION | MATERIAL | PLATING/COLOR |
|-------------|-----------------|---------------|
| terminal 1 | phosphor bronze | silver |
| terminal 2 | SUS | silver |
| terminal 3 | brass | silver |
| housing | PBT (UL94V-0) | black |



Affected Date Code: 02/24/2023

Product Availability: Channel Availability mid Q1

Additional Information:

PCN Approval:

Operations/Quality



Product Management

