

## Product Change Notice (PCN)

**Date:** 10/15/2019

**PCN Number:** PCN-0450780R-01

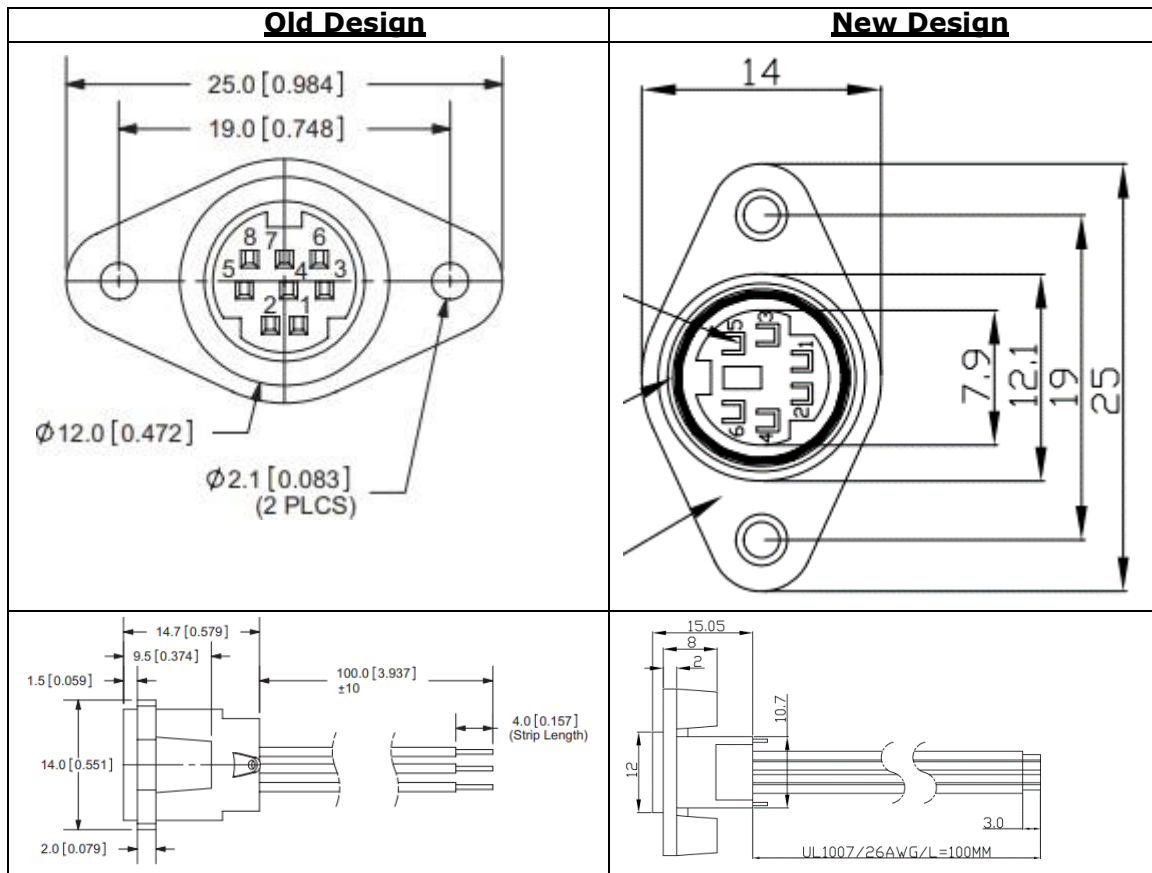
**To Our Customers:**

We appreciate your use of CUI Devices products. Our commitment in maintaining and improving processes is demonstrated by plans to enhance our product quality, reliability and manufacturability. The purpose of this notice is to inform you of a product change.

**Product(s) Affected:** MD-PL100 series (part numbers MD-30PL100, MD-40PL100, MD-50PL100, MD-60PL100, MD-80PL100).

**Reason(s) for Change:** Manufacturing build location change

**Description of Change:** minor housing changes and materials changes as shown below.



## Old design materials

	MATERIAL	PLATING
earth terminal	brass	tin
contact terminals (1~8)	phosphor bronze	tin
wire	AWG #26	
plastic	PBT	

## New design materials

	MATERIAL	PLATING
body	PBT (UL94V-0)	
earth terminal	phosphor bronze	nickel
contact terminals	phosphor bronze	tin
wire	UL 1007/AWG #26	

**Affected Date Code:** 11/1/2019

**Product Availability:** currently available

**Additional Information:** none

PCN Approval:

Operations/Quality



Product Marketing

