

Product Change Notice (PCN)

Date: 02/25/2022

PCN Number: PCN-0450365R-01

To Our Customers:

We appreciate your use of our products. Our commitment in maintaining and improving processes is demonstrated by plans to enhance our product quality, reliability, and manufacturability. The purpose of this notice is to inform you of a product change.

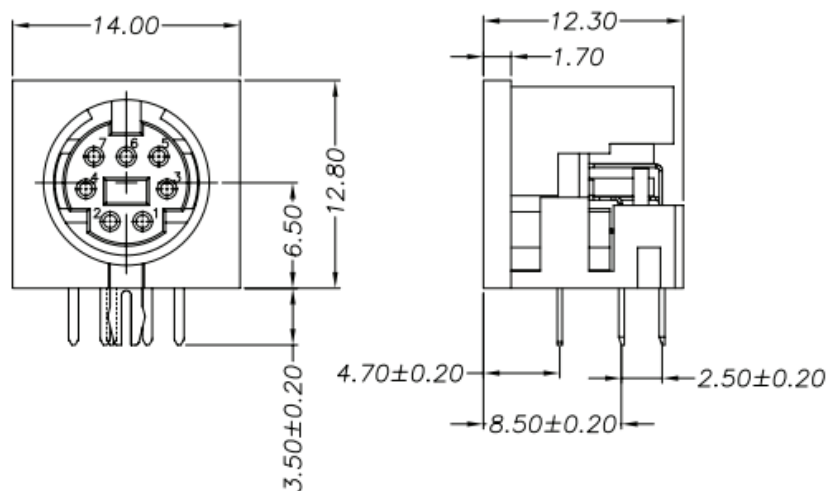
Product(s) Affected: MD-30S, MD-40S, MD-50S, MD-60S, MD-70S, MD-80S, MD-90S

Reason(s) for Change: New factory location and tooling. To enhance product reliability and production consistency.

Functionality: Changes are within specified tolerances.

Description of Change: Small dimensional changes, shown in the drawing below

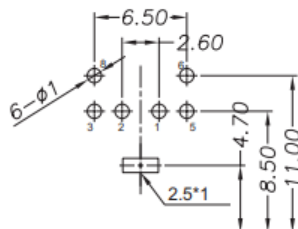
OLD



CUI DEVICES

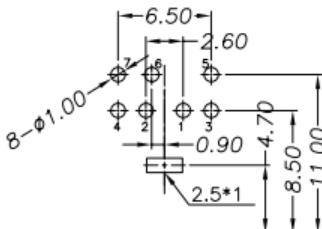
6405 SW Rosewood St, Ste C
Lake Oswego, OR 97035

MD-60S



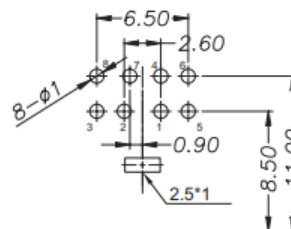
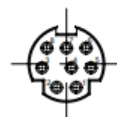
Recommended PCB Layout
Top View

MD-70S



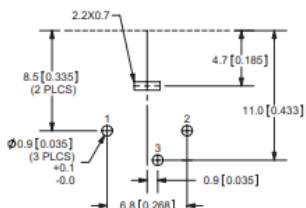
Recommended PCB Layout
Top View

MD-80S



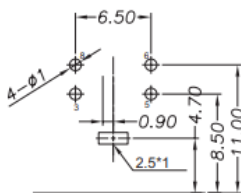
Recommended PCB Layout
Top View

MD-30S



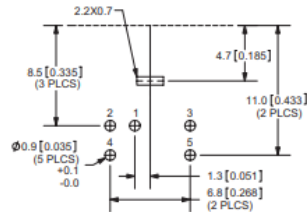
Recommended PCB Layout
Top View

MD-40S



Recommended PCB Layout
Top View

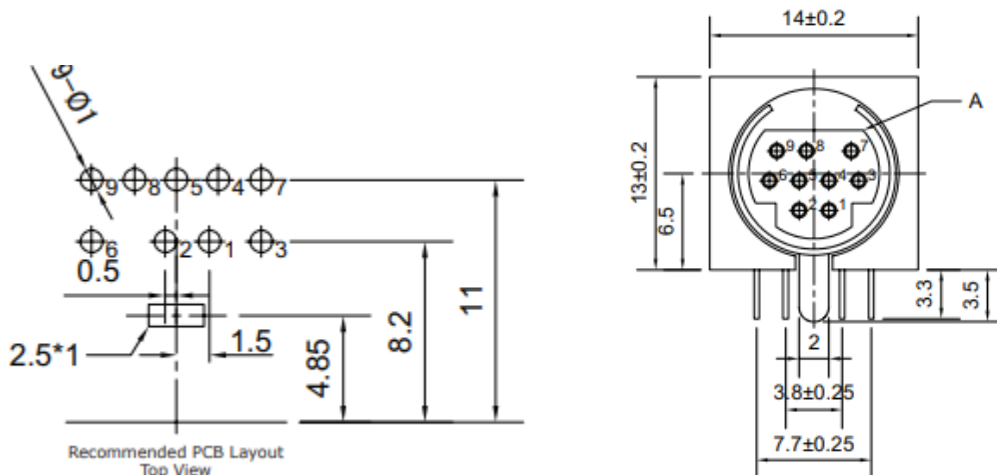
MD-50S



Recommended PCB Layout
Top View

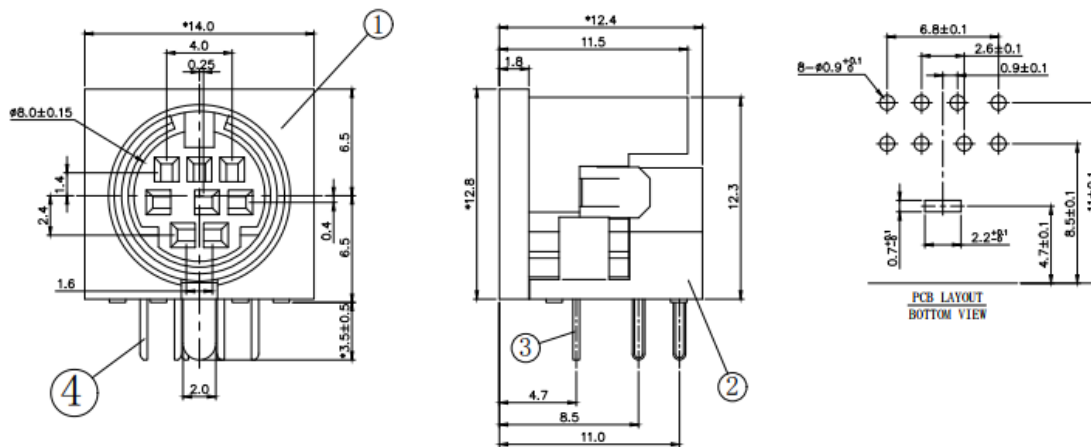
CUI DEVICES

6405 SW Rosewood St, Ste C
Lake Oswego, OR 97035



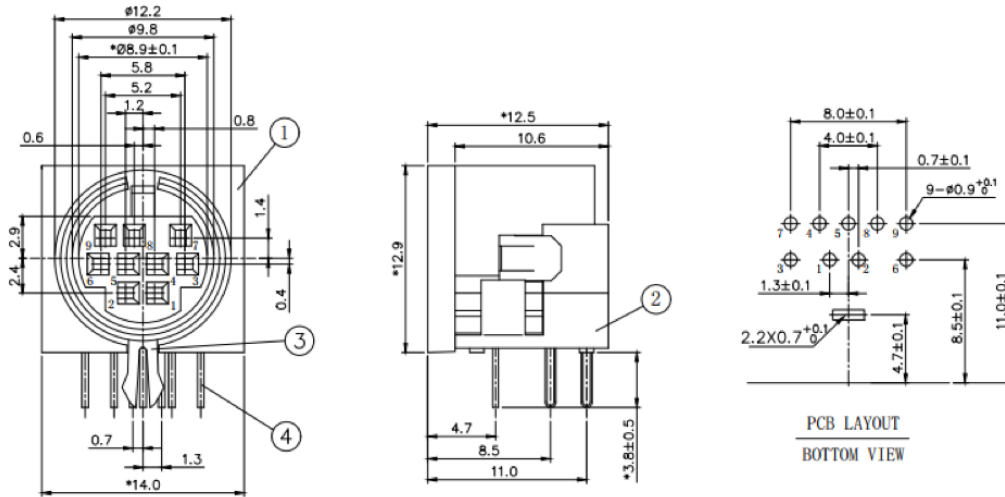
Md-90S

NEW



ARRANGEMENT OF CONTACTS						
NO OF CONTACTS	3	4	5	6	7	8
HOLE LAYOUT						

MD-90S



Affected Date Code: 02/25/2022
Product Availability: pertaining to market availability

PCN Approval:

Operations/Quality

Product Management