

Product Change Notice (PCN)

Date: 01/25/2022

PCN Number: PCN-045-2206R-01

To Our Customers:

We appreciate your use of our products. Our commitment in maintaining and improving processes is demonstrated by plans to enhance our product quality, reliability, and manufacturability. The purpose of this notice is to inform you of a product change.

Product(s) Affected: Part # MD-30PL100

Reason(s) for Change: New manufacturing location. (Manufacturing Tooling Upgrade)

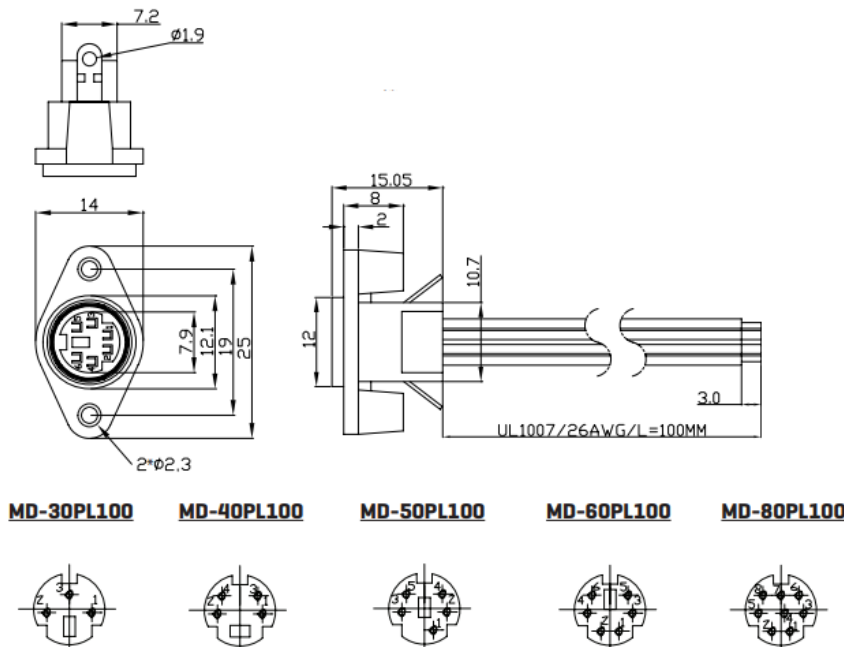
Description of Change: Upgraded Tooling Mold. Dimensional changes marked in the images below.

Affected Date Code: 01/24/2022

Product Availability: On all new orders.

Additional Information: See picture below for visual changes

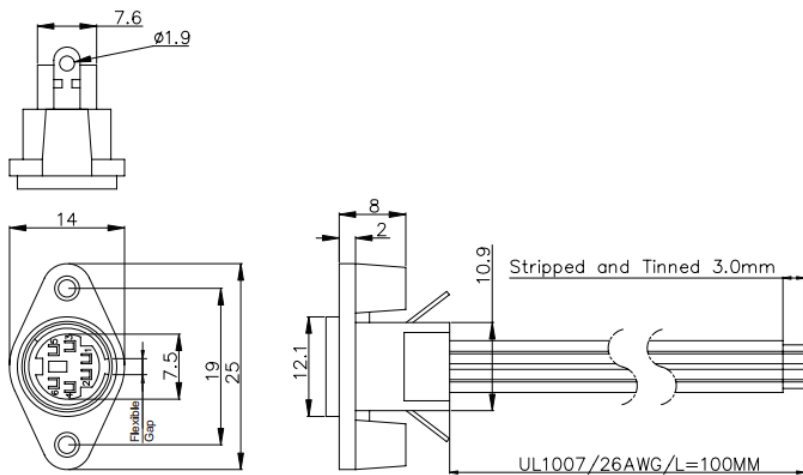
OLD



CUI DEVICES

6405 SW Rosewood St, Ste C
Lake Oswego, OR 97035

NEW



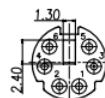
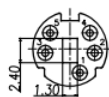
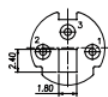
MD-30PL100

MD-40PL100

MD-50PL100

MD-60PL100

MD-80PL100



PCN Approval:

Operations/Quality

Product Management